



RH BRANDBEVEILIGING
WIJ HELPEN U UIT DE BRAND!

EN

MOBIAK®
MEDICAL • GASES • FIREFIGHTING est. 1977

REF: 0805310

DESCRIPTION: Beach Chair "SUNNY"



Read the instruction manual before use and keep it for future reference.
Important safety instructions

EXPECTED USE OF THE PRODUCT

- The wheelchair is used for transporting people with disabilities or limited mobility on the beach or on rough roads.
- The wheelchair provides comfort in transport due to its construction and at the same time contributes to the stimulation of psychology as it provides all kinds of facilities for people with disabilities or limited mobility.

GENERAL WARNINGS

- DO NOT use this product or any available optional or non-available equipment unless you have read and fully understood this user manual. If you do not understand the warnings, precautions or instructions, contact a dealer or technical staff before attempting to use the product, otherwise it may cause injury or damage.
- DURATION OF LIFE - the limit of use of the product is determined by the deterioration of its individual parts.

INSTRUCTIONS FOR USE

- When receiving the wheelchair package you should make sure that it includes all the individual parts of the wheelchair as well as accessories if requested in addition.
- Then start assembling the individual parts of the wheelchair until the process is complete and ready for use.
- This wheelchair also includes a third wheel (front) for greater safety and easier handling.
- The wheelchair is made of high quality materials, resistant to corrosion and generally in the marine environment
- Wheelchair packaging should include the following:
 - The back part with upholstery
 - The seat section with upholstery
 - Rear Wheels (2 pieces)
 - Front wheels (1 piece)
 - 16 pieces safety locks(8 pieces for use and 8 pieces for replacement)
 - Anti-tilt skeleton part
 - Instructions for use
 - Any other accessories are additionally requested

PRODUCT CHARACTERISTICS

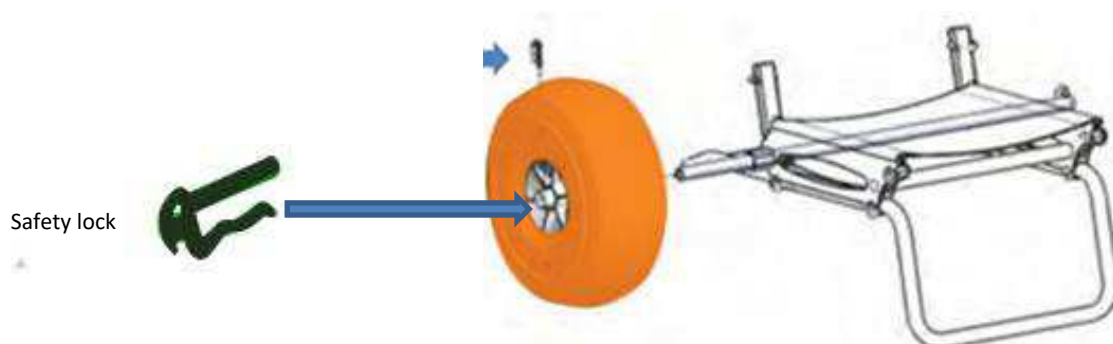
SKELETON	Aluminum
COLOUR	Grey
FRONT WHEELS	Solid
REAR WHEELS	Solid

TECHNICAL CHARACTERISTICS OF THE PRODUCT

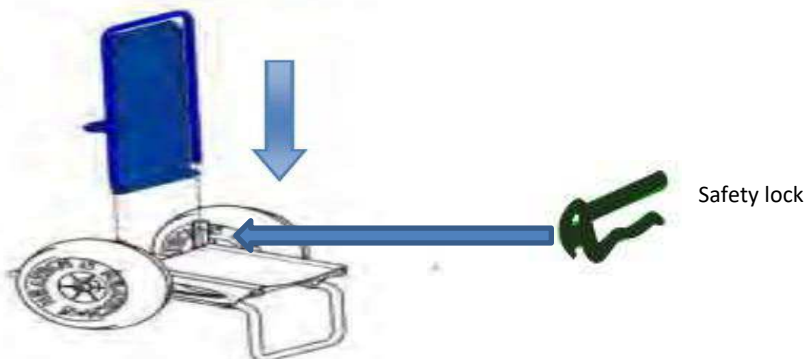
Width of the back	49 CM
Seat width	49 CM
Seat Depth	42 CM
Back Height	80 CM
Overall Width (open - rear wheels)	93 CM
Overall Length (Wheel to Wheel)	80 CM
Overall length	137 CM
Total Height	104 CM
Seat height from the ground	31 CM
Front Wheels (1 piece - Diameter)	29 CM
Rear Wheels (2 Pieces - Diameter)	44 CM
Maximum patient weight	120 KG
Product weight	12,5 KG

ASSEMBLY PROCEDURE

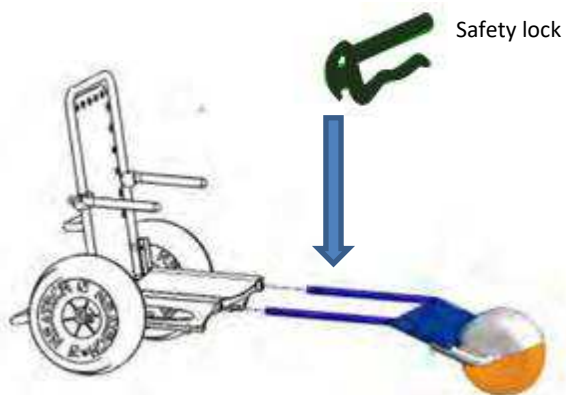
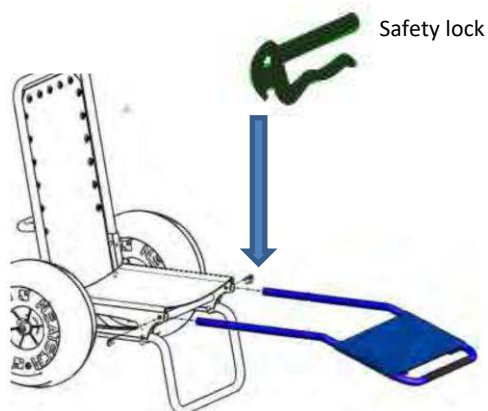
1. Insert the rear wheels into the chassis shaft and lock them using the safety locks in the package as shown below:



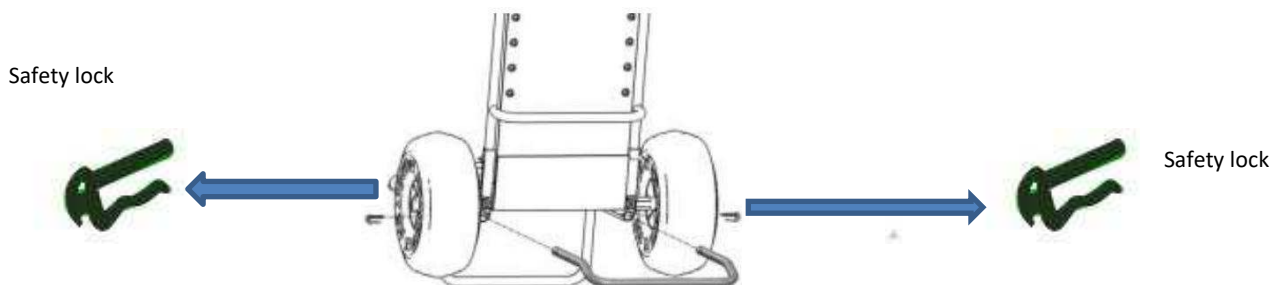
2. Attach the back part to the main frame as shown below by clicking on the latches at the point of attachment of the parts:



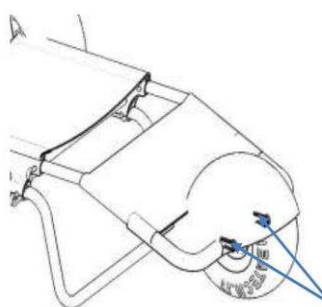
3. Then make sure the wheels are securely fastened to the shaft to which they are attached.
 4. If you want to adjust the leg part remove the safety lock and then add the extra part with the front wheel as shown in the photo below and lock with safety lock:



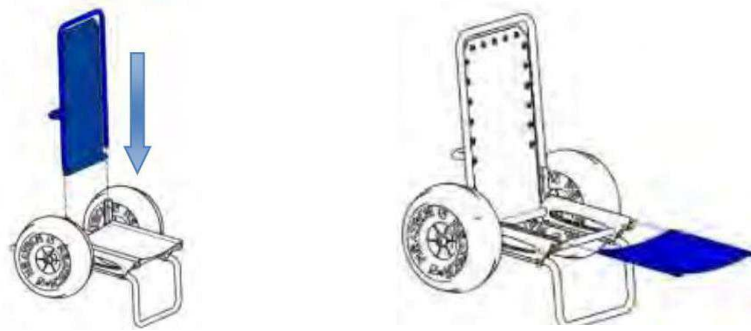
5. If you want to remove the anti-tilt section, remove the safety locks and then remove the extra section as shown in the photo below:



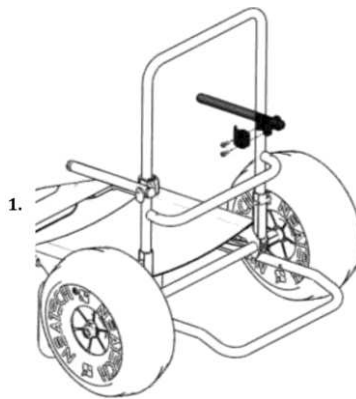
6. To replace the front wheel, remove the safety locks that are present - lock the wheel and replace the new wheel you want by locking it again with the safety locks you previously removed as shown in the photo below:



7. To remove the back and seat fabric, remove the safety locks and pull the fabrics out. Just by following the same procedure you can replace the fabrics. Check out the following photos:



8. To mount the arms left and right follow the image below and tighten the screws to ensure their stability.



MAINTENANCE

- To clean individual parts, use a soft cloth or sponge & mild soap after each use and before storing. Dry with a clean soft cloth. CAUTION: Do not use acidic or caustic solutions.
- Do not smoke & make any use of flames near product sections.

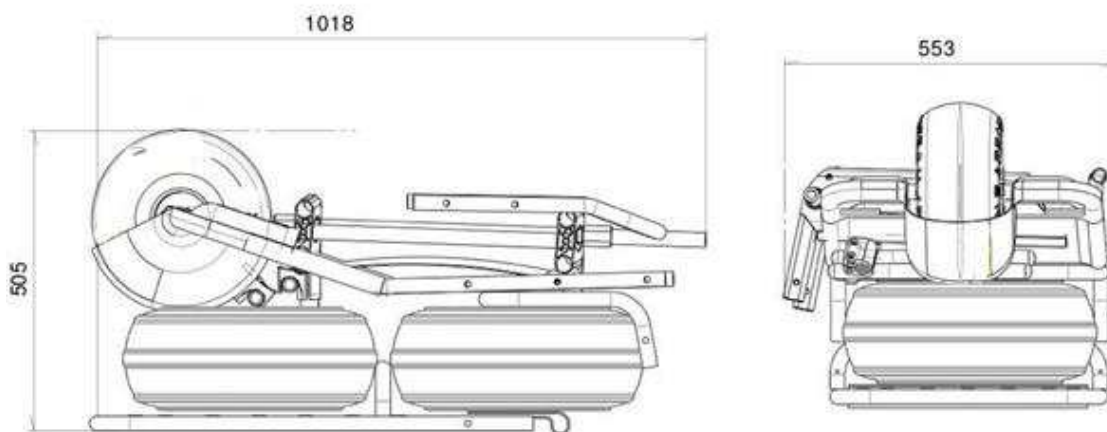
IMPORTANT (!)

Precaution

- Do not use sharp objects near the product.
- Clean the product after each daily use. We recommend cleaning it with a mild detergent to protect it from stains, sand and dust. The best solution is to clean with warm water mixed with mild soap and then thoroughly wiped.
- Protect the product from abrasions, cuts and punctures.
- Do not leave the product exposed for long periods if it is not to be used.

Storage

- The storage process is simple and easy and is done by unlocking the safety locks, disassembling the parts and storing as shown in the photo below::



Declaration of conformity

We hereby declare that the abovementioned product complies with the applicable requirements of Directive 93/42 / EEC, of the Ministerial Decision on Harmonization of National Legislation, DH8S / GPO 1303048 GG 2198B / 02-10-2009

The product belongs to Class 1 with classification rule 1 and meets the requirements of Directive 93/42 / EEC on Medical Devices.

Each product in this statement meets the technical specifications contained in its technical documentation

The product is safe and effective and does not endanger the safety and health of the patient, user and third parties, provided it is properly maintained and used in accordance with its intended purpose and accompanying instructions.

CAUTION (!)

Use of this product is prohibited for purposes other than those specified in this manual.

MOBIAK SA disclaims any responsibility for damage resulting from improper use of the product or use other than that set forth in this manual.

MOBIAK SA reserves the right to make changes to the product and the following manual without notice, in order to improve its features.



ENVIROMENTAL PROTECTION

If you find one day that your product needs replacement, or no longer serves you, consider the environment:

- 1) Do not dispose of your product along with the municipal waste (this is also the importance of the stated recycling symbol).
- 2) Contact your municipal authority to indicate the point of disposal of your device for recycling.
- 3) You have to dispose of your useless product in the right place

Recycling helps to protect the environment and the operation again your product materials.

WARRANTY

The product has warranty for two (2) years and one (1) year for the wheels
The warranty apply factory defects & DOES NOT apply damages resulting from improper use, poor maintenance, modification, abuse or non-compliance with the product's operating instructions.

Damage or defects caused by: natural disasters, unauthorized maintenance or repair, power supply problems (where applicable) and transportation companies are not covered by the warranty.

Warranty Form

Buyers Data

Name:

Date of purchase:S/N.....

LOT:.....Phone:

Resellers Data

Name :

Address:.....

Phone:

Reseller Stamp

